

**Read Before Installing  
MPE/iX Release 7.0 Express 1  
Non-Platform Software Release (C.70.01)**

**HP e3000 MPE/iX Computer Systems**

**Edition 3**



**Manufacturing Part Number: 30216-90327**

**E0801**

U.S.A. August 2001

---

## **Notice**

The information contained in this document is subject to change without notice.

Hewlett-Packard makes no warranty of any kind with regard to this material, including, but not limited to, the implied warranties of merchantability or fitness for a particular purpose. Hewlett-Packard shall not be liable for errors contained herein or for direct, indirect, special, incidental or consequential damages in connection with the furnishing or use of this material.

Hewlett-Packard assumes no responsibility for the use or reliability of its software on equipment that is not furnished by Hewlett-Packard.

This document contains proprietary information which is protected by copyright. All rights reserved. Reproduction, adaptation, or translation without prior written permission is prohibited, except as allowed under the copyright laws.

---

## **Restricted Rights Legend**

Use, duplication, or disclosure by the U.S. Government is subject to restrictions as set forth in subparagraph (c) (1) (ii) of the Rights in Technical Data and Computer Software clause at DFARS 252.227-7013. Rights for non-DOD U.S. Government Departments and Agencies are as set forth in FAR 52.227-19 (c) (1,2).

---

## **Acknowledgments**

UNIX is a registered trademark of The Open Group.

Hewlett-Packard Company  
3000 Hanover Street  
Palo Alto, CA 94304 U.S.A.

© Copyright 2001 by Hewlett-Packard Company

---

# Contents

<b>1. Information You Need Before Installing MPE/iX 7.0 Express 1</b>	
Announcements .....	5
Release Notes .....	6
For SAMBA Users: Special Installation Instructions .....	6
DCE/RPC 1.2.1 Not in Express 1 .....	6
CR# JAGad64465: SHUT6 Not Reached When STM Running on A500 .....	6
CR # JAGad83567: Version Mismatch on TIO_TLDM_VER Module .....	6
Software Product and System Patches .....	7
<b>2. Modem Connections on A- and N-Class</b>	



# 1 Information You Need Before Installing MPE/iX 7.0 Express 1

---

## Announcements

- 9x7s not supported in 7.0 The decision has been made to not support 9x7s on the 7.0 release. The final version of MPE/iX Release 7.0 will not boot on 9x7 systems.
- 6250 half inch tapes will not be supported as a distribution media in 7.0. As a matter of fact we are going to end the support for all releases sometime this year.

## Release Notes

### For SAMBA Users: Special Installation Instructions

Before installing or using the Samba/iX product on MPE/iX 7.0 Express 1, please visit <http://jazz.external.hp.com/src/samba/> for important installation instructions.

### DCE/RPC 1.2.1 Not in Express 1

Unlike what is stated in the 7.0 Express 1 Communicator, the MPE/iX 7.0 Express 1 release does not contain the new versions of the 2 products (DCE/RPC 1.2.1). We intend to make RPC/DCE 1.2.1 available as patches for download shortly after Express 1 is released.

### CR# JAGad64465: SHUT6 Not Reached When STM Running on A500

If the Support Tools Manager (STM) is not shut down prior to doing a =SHUTDOWN, then the =SHUTDOWN will pause for 5 minutes or longer between the Shut4 and Shut6 messages, for example:

```
Shutdown of system processes begins. (Shut 4)
/*5 minute or longer pause */
Shutdown of operating system complete. (Shut 6)
```

To avoid this delay, shut down STM before the network is stopped by entering the `stmshut` command in `cstm`.

```
:cstm
cstm>stmshut
cstm>exit
:nscontrol stop
:netcontrol stop
=SHUTDOWN
```

### CR # JAGad83567: Version Mismatch on TIO\_TLDM\_VER Module

The version of the TIO\_TLDM\_VER module included in MPE 7.0 Express 1 causes a version mismatch in the MPE/iX Terminal I/O 32022C subsystem via NMMaint,26. This is caused because the incorrect version of the module was included in the patch CONGD15. There is no external functional difference between this version and the correct one. This module is only used on the console port, the remote mode port and the UPS port. There will be no effect on system operations due to this version mismatch. A new patch with the correct version will be created after MPE 7.0 Express 1 is released.

## Software Product and System Patches

<b>Software Product</b>	<b>PATCH ID</b>
WAN, ACC support for IOVA	ACCGD50 A
Predictive Support	CONGD15 A
Mesa based Predictive	OSPLXD2 C QUELXP5 C
Apache PH. II-B	APCGD14 A
Image/SQL	ATCLXV1 A
100 Base T on Core I/O Card	LNCGD27 A PBTGD53 A BT1GD36 A VG1GD39 A VGFGD42 A
HA Cluster/iX ARM,XP MANAGER	ARMLXW9 A XPMLXD9 B
Allbase/SQL	SQLLXD8 A
TurboImage/iX	TIXLXL4 B
Hot Spot Java SDK 1.3	JAVLXP4 F
Samba 2.0.7	SMBLXT2 B
Mesa Diagnostics	ODILXT4 A
SPT/iX	SPTLXR1 C
HPBROWSE/iX	BROLXR2 C
HPSEARCH/iX	SEALXR4 A SRCLXQ6 A
Glance/iX	GLALXR3 C
SCOPE	SCOLXR6 A
Network Service NSS	NSSGD80 A NSTGD45 A
SNMP	SNMGD43 A
SNA	SNAGD52 A
FDDI	FDDGD46 A

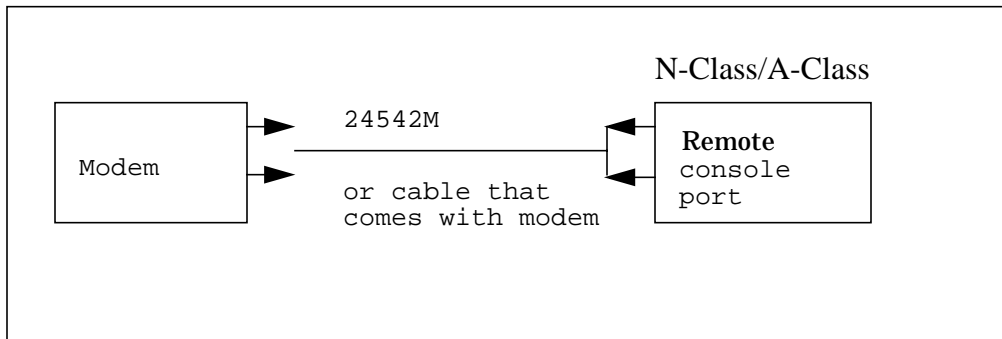
<b>Software Product</b>	<b>PATCH ID</b>
Support Tools	NRCLXP0 C
SNA	SNAGD52 A
HP BRW	BBRLXJ1 C
Transact/iX	TRXLXP8 C TRRLXP7 C
Firmware	FWSLXT5 C
Interserv	INTGD33 A
Serial Datacom	TSMGD73 A
MPE/iX	MPEKXK4 F MPELX67 C MPELX98 B MPELXC2 D MPELXD0 C MPELXJ3 D MPELXK3 C MPELXK7 C MPELXL0 B MPELXL2 J MPELXL5 B MPELXL7 C MPELXL8 C MPELXN0 A MPELXN1 A MPELXN2 C MPELXN7 A MPELXP3 B MPELXP9 A MPELXQ0 A MPELXQ8 A MPELXQ9 A MPELXU2 A MPELXU3 A MPELXV9 A MPELXW1 A MPELXW5 B MPELXW8 B MPELXX0 C MPELXX1 A



## 2 Modem Connections on A- and N-Class

The modem that is supported on the Remote console port on the N-Class and A-Class systems is the MultiTech Model MT5634ZBA (HP part No: 0960-1074).

The physical connection is:



The cable is connected to the 9 pin Remote Console Serial port on the coreI/O card. Connect the modem to the system and to the phone line. Make sure the modem is connected to the AC power and is turned on. There is a small switch on the side of the modem.

The following is the dialog to verify and configure the modem:

```

=====
GSP Host Name: <systemname>
GSP> CA

CA
=====
  
```

This command allows you to modify the local and remote modem serial port configurations. Current configuration settings:

```

Local Console Serial Port bit rate: 9600 bits/s
Local Console Serial Port Flow Control: Software
Local Console Serial Port Terminal Type: hpterm
Remote Console Serial Port Modem Protocol: CCITT
Remote Console Serial Port Modem bit rate: 19200 bits/s
Remote Console Serial Port Modem Flow Control: Software
Remote Console Serial Port Modem Transmit Configuration Strings: Enabled
Remote Console Serial Port Modem Presence: always connected
  
```

Do you want to modify the Local Console Serial Port settings? (Y/[N])

Do you want to modify the Remote Console Serial Port Modem settings? (Y/[N])

=====

**If the parameters are not correct for the Remote Console Serial port, then answer “Y” to the second prompt. Here is the full dialog to change the configuration if needed:**

Do you want to modify the Remote Console Serial Port Modem settings? (Y/[N])

Y

Y

Current Remote Console Serial Port Modem Protocol: CCITT

Do you want to modify it? (Y/[N]) y

Y

Enter Modem Protocol (Bell / CCITT): c

c

New Modem Protocol: CCITT

Confirm? (Y/[N]): y

Y

-> Modem Protocol will be updated.

Current Modem bit rate: 19200 bits/s

Do you want to modify it? (Y/[N]) y

Y

Enter Modem bit rate (in bits/s): 19200

19200

New Modem bit rate: 19200 bits/s

Confirm? (Y/[N]): y

Y

-> Modem bit rate will be updated.

Current Flow Control: Software

Do you want to modify it? (Y/[N]) y

Y

Enter Flow Control (Hardware / Software): s

s

New Flow Control: Software

Confirm? (Y/[N]): y

Y

-> Flow Control will be updated.

Transmit Configuration Strings: Enabled

Do you want to modify it? (Y/[N]) n

n

```

Modem Presence: always connected
Do you want to modify it? (Y/[N]) n
n
Command execution may take 25 seconds.

-> Settings have been updated.

GSP Host Name: <systemname>
GSP>
=====

Now enable the remote console:

GSP Host Name: <systemname>
GSP> er

ER

Current remote/modem port access: GSP

Do you want to modify this configuration? (Y/[N]) y
y
Remote/modem serial port access options:

[L]ocked-out: Lock out all dial-in access.
[G]SP       : Dial-in results in a GSP login.
[S]ession   : O/S controls modem for dial-in and dial-out

GSP may page in any mode if modem is not in use.
O/S may use modem in Session mode only.

Please indicate the new mode for the remote/modem console serial port,
or <CR> to retain current value. Choose one of (L, G, S): g
g
New remote/modem port access settings will be: GSP

Confirm? (Y/[N]): y
y
Command execution may take 25 seconds.

```

Current remote/modem port access: GSP

GSP Host Name: <systemname>

GSP>

=====

This should be all that is needed to enable the remote console modem port.

If you are using a terminal emulator on a PC such as WRQ Reflections, then go to the connection menu and select 'disconnect'. If the system is booted and at the CI prompt, do the following:

```
:pause 10  
+++  
ath0
```

**This will cause the local modem to drop the connection and leave the local console in the proper state. The “pause” command is entered so the modem escape string (+++) is not echoed to the remote modem. If the escape string is echoed back to the remote modem, then the modem connected to the system also goes offline and prevents the user from disconnecting the local modem. If needed you can reset the modem from the GSP on the local or LAN console port with the GSP command “MR” for modem reset**